

Vigor130

VDSL2/ADSL2/2+ Modem

Quick Start Guide

Guide Version: 1.02

For updates and support, visit www.draytek.co.uk

November 2014 / Firmware V3.7.5.1

Note: Product specification is subject to continuous evolution which may not always be reflected in current documentation. For the formal specification and details of the supported features of your product, please refer only to the web site at www.draytek.co.uk

Warranty

We warrant to the original end user (purchaser) that the modem will be free from any defects in workmanship or materials for a period of two (2) years from the date of purchase from a DrayTek authorized dealer in the UK/Ireland. Please keep your purchase receipt in a safe place as it serves as proof of date of purchase. During the warranty period, and upon proof of purchase, should the product have indications of failure due to faulty workmanship and/or materials, we will, at our discretion, repair or replace the defective products or components, without charge for either parts or labor, to whatever extent we deem necessary to restore the product to proper operating condition. Any replacement will consist of a new or re-manufactured functionally equivalent product of equal value, and will be offered solely at our discretion. This warranty will not apply if the product is modified, misused, tampered with, damaged by external factors, used with unapproved accessories or subjected to abnormal working conditions. Warranty applies to hardware only, not software or firmware. Defects which do not significantly affect the usability of the product will not be covered by the warranty. We reserve the right to revise the manual and online documentation and to make changes from time to time in the contents hereof without obligation to notify any person of such revision or changes.

European Community Declarations

Manufacturer: DrayTek Corp.
Address: No. 26, Fu Shing Road, HuKou Township, HsinChu Industrial Park, Hsin-Chu, Taiwan 303
Product: Vigor130

DrayTek Corp. declares that Vigor130 is in compliance with R&TTE Directive 1999/5/EEC, Electro-Magnetic Compatibility (EMC) Directive 2004/108/EC, EN55022/Class B and EN55024/Class B and Low Voltage (LVD) Directive 2006/95/EC (as per EN60950-1). Product is compliant with 47 C.F.R. Part 68. The product is designed for use in the UK & Ireland.



Join the UK mailing list	Users in the UK & Ireland can sign up to our mailing list which goes out approximately 4 times per year with products news, updates, hints & tips and offers. For details, please visit www.draytek.co.uk/list
Firmware & Tools Updates	Due to the continuous evolution of DrayTek technology and emerging risks, router firmware updates may be issued. Please consult the DrayTek web site for more information on newest firmware, tools and documents. www.draytek.co.uk (For UK/Ireland)

Introduction

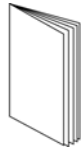
Thank you for purchasing this DrayTek Vigor 130 DSL modem. It provides compatibility with ADSL and VDSL lines, outputting to a single Gigabit (1000BaseT) Ethernet port. Throughout this guide, when we refer to DSL or xDSL, that means either VDSL (FTTC) or ADSL/ADSL2+.

The Vigor 130's primary function is as a transparent bridge modem for xDSL services – not as a router/firewall in itself. It connects a secondary router or other device to your DSL line, where that device does not directly support DSL itself.

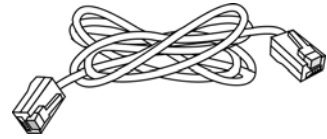
As a bridge, the Vigor 130 only provides the physical conversion from xDSL (ADSL or VDSL) to Ethernet and all firewalling, routing or other advanced routing functions are managed by your secondary device (a separate router, firewall etc.). The secondary device may also be a single PC, a PC-based software router or an Apple Airport™ type device.

The Vigor 130 comes preconfigured for most UK ISPs. Therefore, in most cases you do not need to perform any setup of the Vigor 130 at all. You only need to physically connect it (plug it in) and then configure your connected router/firewall. Your ISP username and password go into your router, not the Vigor 130, which just acts as the DSL-to-Ethernet bridge.

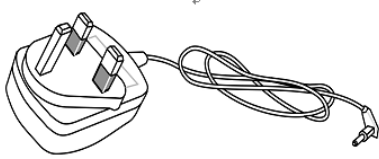
1 Package Contents



Quick Start Guide
(This document)



RJ-45 Cable (Ethernet)
(Connects to your router)



UK-type power adapter

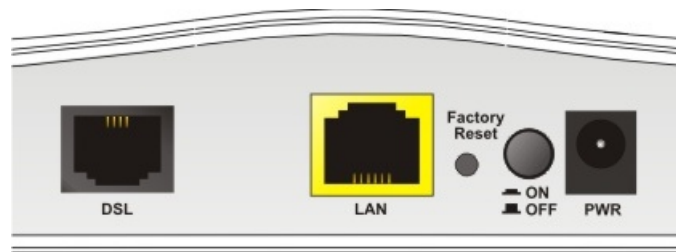



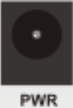
RJ-11 to RJ-11 cable
(Connects to your DSL line)

2 Descriptions of Components



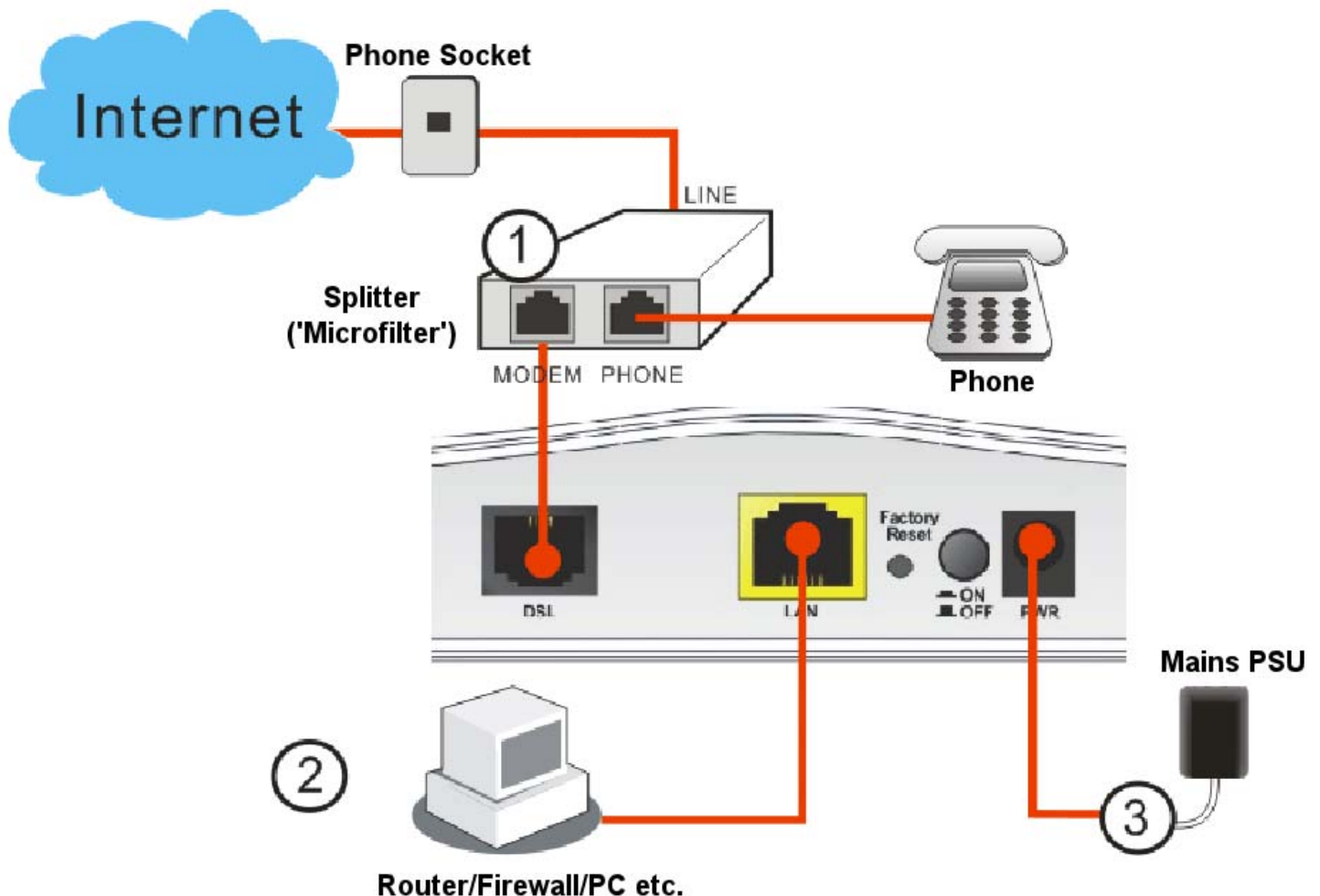
LED	Status	Explanation
ACT	Off	The system is not ready or has failed.
	Blinking	The system is ready and operating normally.
LAN	On	Ethernet LAN (RJ45) is connected.
	Off	Ethernet LAN is disconnected.
	Blinking	Data is transmitting (sending/receiving).
DoS	n/a	This LED has no function in bridge mode currently.
DSL	On	DSL connection synchronized.
	Blinking	DSL connection is synchronizing.



Interface	Description
DSL	RJ11 Connector for your VDSL2/ADSL2+ line
LAN	RJ45 Connector for connected router/firewall/PC
Factory Reset	Restore the default settings. Usage: Turn on the modem. Press the button and hold for more than 10 seconds. Then the modem will restart with the factory default configuration.
	ON/OFF: Power switch.
	Connector for power adapter. Use only the original PSU supplied with the unit, or an original replacement supplied by DrayTek.

3 Installing your Vigor 130 modem

1. Connect the DSL interface to the **MODEM** or **DSL** port of the external splitter/microfilter (not supplied) with the RJ-11 line cable. In some cases, your RJ11 DSL socket will be built-into your phone line socket on the wall and you won't have a separate microfilter/splitter.
2. Connect the LAN port to your router or computer with the RJ-45 cable.
3. Connect one end of the power adapter to the Vigor 130 and to a suitable mains outlet.
4. Turn the Vigor 130 on using its power switch.
5. Check the **ACT** and **LAN** LEDs light up or blink.



4 Setup & Configuration

The Vigor 130 comes preconfigured for most UK ISPs already so no actual setup of the Vigor 130 is normally required in the UK. You do not need to access the Vigor 130's own web/user interface. Instead, just connect the Vigor 130's Ethernet (RJ45) interface to your router's Ethernet (RJ45) WAN Interface and proceed to set up that router (not the Vigor130) using the PPPoE protocol.

You do not, therefore, need to read the rest of this manual. Stop here and move onto configuring your router or other connected device.

If you do want to connect to the Vigor 130's web interface (for diagnostic purposes or to change settings for a non-standard ISP), you can connect its Ethernet (RJ45) interface directly to your PC. If your PC is enabled as a DHCP client, it will get an IP address from the Vigor 130, otherwise, set your PC to an IP address in the 192.168.2.x subnet (where 'x' is any number between 2-254).

The Vigor 130 should then be accessible on its default address in your web browser of **http://192.168.2.1** and you can login with the default username/password of admin/admin. You should change that password from the system maintenance menu before you leave the router's setup screens.



DrayTek Vigor130

Login

Username

Password

Login

Copyright © 2012 DrayTek Corp. All Rights Reserved.

The Vigor 130 main menu will appear which gives you access to diagnostic status menus and also the DSL configuration and ISP parameters. Please note, again, for most UK ISPs, you do not need to change anything.

DSL Status

If you have already connected your Vigor130 to your DSL line, you can check the **Online Status>Physical Connection** menu which will confirm your connectivity and connected speed (e.g. 56.2Mb/s as shown below):

The screenshot shows the DrayTek Vigor 130 web interface. The left sidebar contains a navigation menu with 'Physical Connection' highlighted. The main content area shows the 'Physical Connection' status for IPv4. It includes a table for LAN Status and a table for VDSL2 Information.

LAN Status		Primary DNS: 8.8.8.8	Secondary DNS: 8.8.4.4
IP Address		TX Packets	RX Packets
192.168.2.1		10106	8416

VDSL2 Information (VDSL2 Firmware Version: 54800)					
Profile	State	UP Speed	Down Speed	SNR Upstream	SNR Downstream
12A	SHOWTIME	42380 (Kbps)	56208 (Kbps)	8 (0.1dB)	8 (0.1dB)

The Internet Access menus do not need to be changed for most ISPs. You do not need to change any parameters or disable/enable anything. Notable exceptions may include lines from Eircom, Sky, legacy (old/original) lines from O2/BeThere or TalkTalk (but not new/later connections) and Kingston Telecom. See the DrayTek knowledgebase on www.draytek.co.uk/support for further information (for UK/Ireland users – other countries or regions will likely be completely different). Unless you know you need different connection settings, keep all default settings and try those, as shown below (otherwise check with your ISP).

Internet Access/General Menu

The default settings do not normally need to be changed. You can enter your ISP's name in the first box if you wish:

DrayTek Vigor 130

Internet Access >> General Setup

Auto Logout ▾

Online Status

Internet Access

General Setup

PPPoE / PPPoA

MPOA / Static or dynamic IP

LAN

System Maintenance

Diagnostics

WAN 1

Display Name:

Physical Mode: **VDSL2**

DSL Mode: Auto ▾

Physical Type: Auto negotiation ▾

Line Speed(Kbps):

DownLink:

UpLink:

VLAN Tag insertion (ADSL):

Tag value: (0~4095)

Priority: (0~7)

VLAN Tag insertion (VDSL2):

Tag value: (0~4095)

Priority: (0~7)

PPPoE/PPPoA Menu

These are the settings for ADSL/VDSL, and also do not normally need to be changed. The factory default settings are shown in this image:

DrayTek Vigor 130

Internet Access >> PPPoE / PPPoA

Auto Logout ▾

Online Status

Internet Access

General Setup

PPPoE / PPPoA

MPOA / Static or dynamic IP

LAN

System Maintenance

Diagnostics

PPPoE / PPPoA Client Mode

PPPoE/PPPoA Client Enable Disable

DSL Modem Settings (for ADSL mode only)

Multi-PVC channel: Channel 1 ▾

VPI:

VCI:

Encapsulating Type: VC MUX ▾

Protocol: PPPoA ▾

Modulation: Multimode ▾

PPPoE Pass-through

For Wired LAN

Note: If this box is checked while using the PPPoA protocol, the router will behave like a modem which only serves the PPPoE client on the LAN.

MTU: (Max:1492)

Default MAC Address

Specify a MAC Address

MAC Address: · · : : ·

MPoA Menu

MPoA is rarely used by ISPs in the UK, so this menu should normally stay disabled, as shown here:

DrayTek Vigor 130

Auto Logout ▾

Online Status

Internet Access

- General Setup
- PPPoE / PPPoA
- MPoA / Static or dynamic IP**
- LAN
- System Maintenance
- Diagnostics

Internet Access >> MPoA / Static or dynamic IP

MPoA / Static or dynamic IP

MPoA (RFC1483/2684) Enable Disable

DSL Modem Settings (for ADSL mode only)

Multi-PVC channel: Channel 2 ▾

Encapsulation: 1483 Bridged IP LLC ▾

VPI: 0

VCI: 101

Modulation: Multimode ▾

MTU: 1500 (Max:1500)

Bridge Mode

Enable Bridge Mode

Default MAC Address

Specify a MAC Address

MAC Address: 00 . 00 . 00 : 00 . 00 . 00

DNS Server IP Address

Primary IP Address: 8.8.8.8

Secondary IP Address: 8.8.4.4

Getting further help

If the modem does not appear to be operating correctly or you cannot get online to the Internet, please visit our web sites for further troubleshooting advice or to contact our support technicians. Always have your serial number to hand.

Users in the UK/Ireland using qualifying products should visit www.draytek.co.uk/support for support options including email support, telephone support, our help knowledgebase and access to the UK user support forums.

If you are **outside** of the UK/Ireland, please contact your own local supplier, email to support@draytek.com or visit www.draytek.com/support

For warranty service, in the first instance, please contact the support services, as listed above, for help in diagnosing or eliminating the problem or issue. The support department can arrange repair or service if then deemed necessary.

The standard Vigor 130 warranty is 'Return to base' (RTB) unless you have VigorCare which provides enhanced services (see www.draytek.co.uk/vigorcure).

You should keep your proof of purchase (original invoice) safely in case warranty or other service is ever required.

Keep up to date with our mailing list

Now that you have your DrayTek product, you should keep up to date with product updates (firmware), security advisories and other product news, advice or special offers. Users in the UK/Ireland can subscribe to our mailing list. For details and to subscribe, please visit www.draytek.co.uk/list. In other countries or regions, please contact your local distributor/supplier for local options.

Firmware Updates

Firmware updates for your product ensure that you have the latest set of features, security updates and improvements for your product. Users in the UK/Ireland can download these from www.draytek.co.uk/support