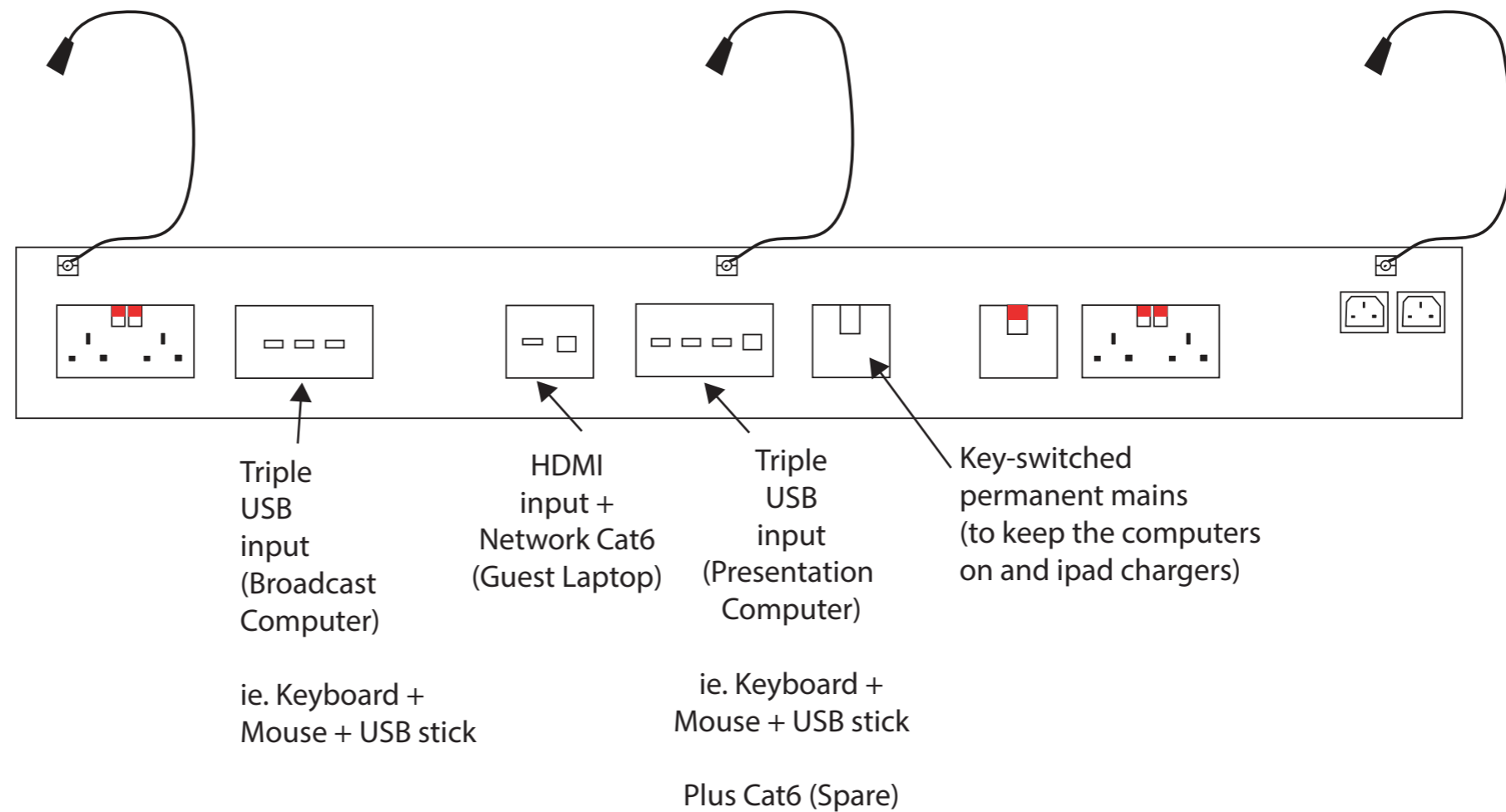


Sloped Panel



NOT TO SCALE